

**PRODUCT TECHNICAL SHEET**

Collection : **PILE & FACE**

Ref. : **1002.--.04**

Robinet de service oblique

Dienstkraan, schuin model

Service tap, oblique model

**Picture**



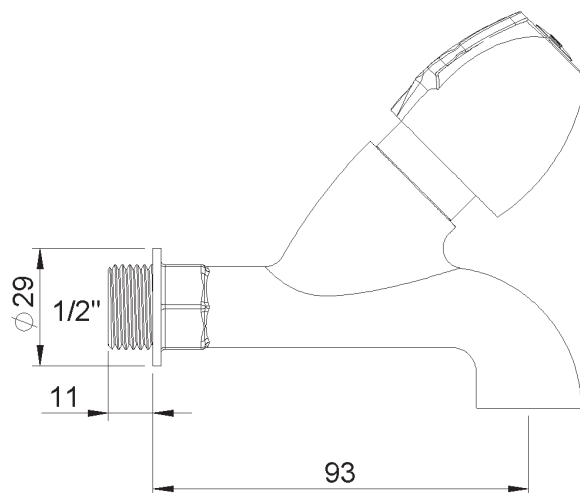
**Product details**

Weight : 0,7 kg

Flow at 3 bar : Restricted 5,6 l/min

Internal mechanism : Ceramic valve 1/4 turn

**Technical drawing**



RA1.V01